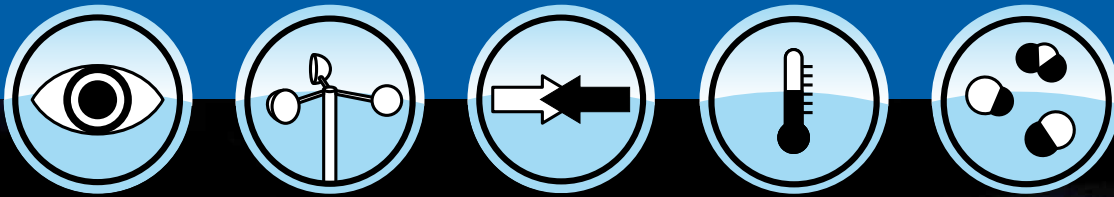
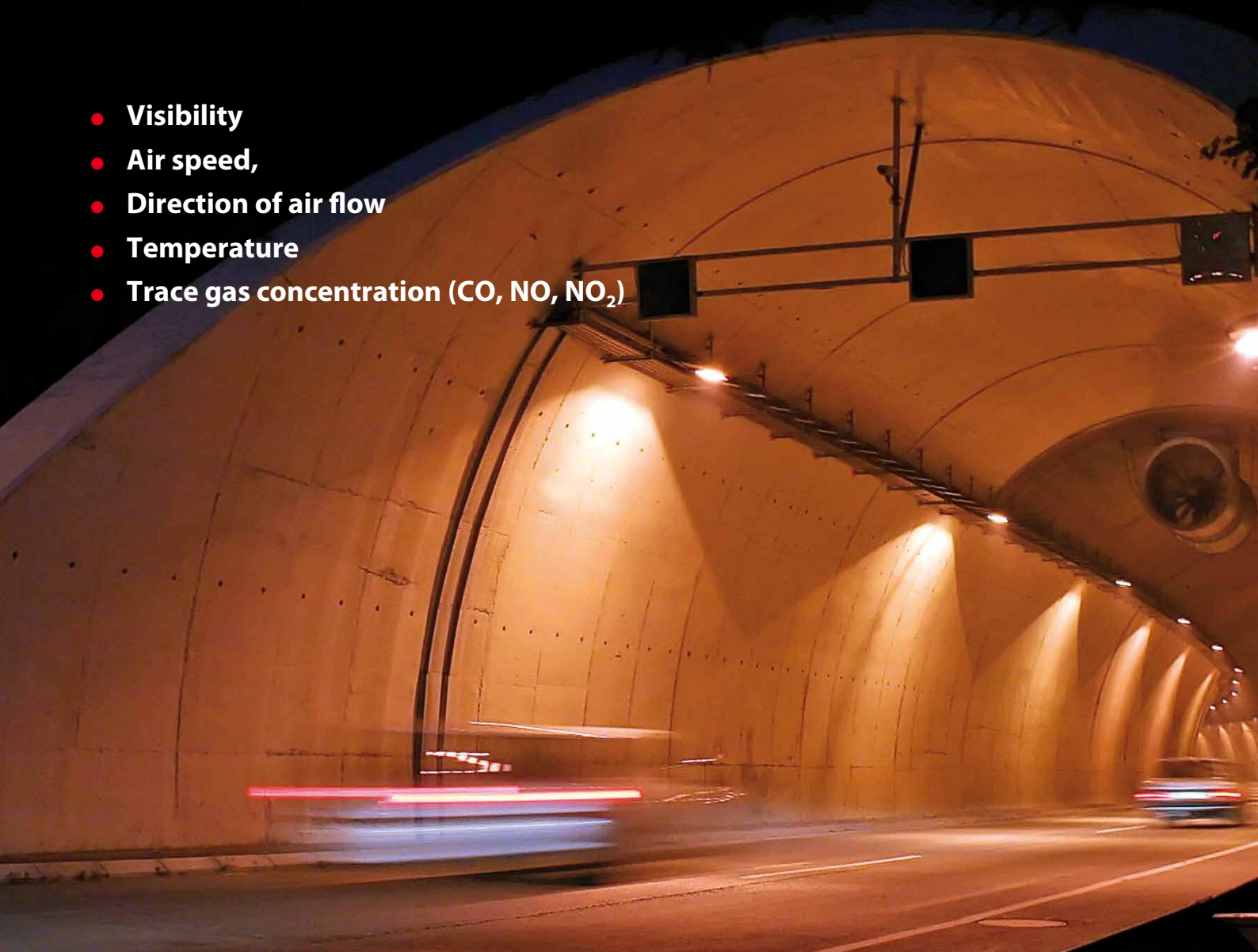


Tunnel Monitoring



- Visibility
- Air speed,
- Direction of air flow
- Temperature
- Trace gas concentration (CO, NO, NO₂)



Application

Ventilation in tunnels shall provide for adequate breathing air for drivers and maintenance staff in tunnels as well as for sufficient visibility in the tunnel atmosphere which is contaminated with exhaust and dust. Also emission of pollutants to the environment shall be minimized and in case of fire it shall reduce the effect of heat and smoke.

DURAG produces service reduced sensors and analysers, which precisely and reliably transmit the data of tunnel atmosphere to the ventilation control system.

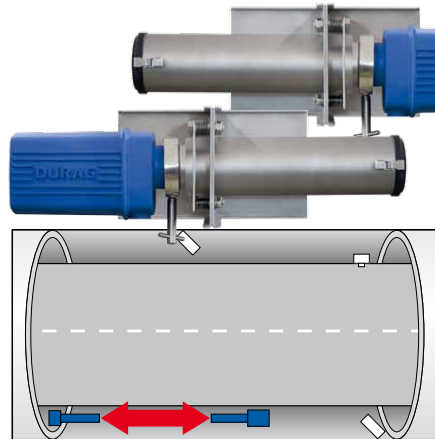
2004/54/EC "tunnel" guideline as well as the national specifications for installations in tunnels are included in the design of DURAG sensors.

Redundancy and system stability are essential. Therefore DURAG offers separated sensors. This allows the ventilation control system to effectively perform the mandatory plausibility checks of the sensor signals. Separated sensors can be placed at the ideal mounting positions.

The sensors are rugged and will withstand corrosive tunnel atmosphere as well as tunnel cleaning procedures. The units can be mounted quickly. Maintenance is minimized and units can be exchanged in case of malfunction immediately.

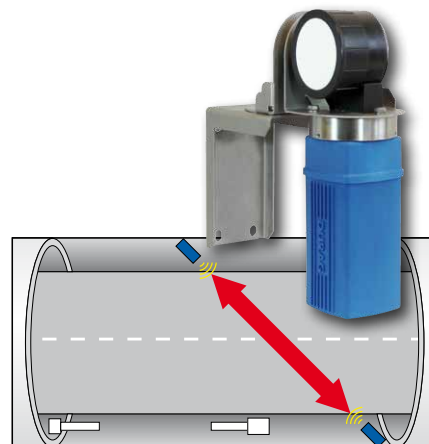
The DURAG delivery program includes sensors and analysers for

- Visibility
- Air speed and direction of air flow
- Trace gas concentration (CO, NO, NO₂)
- Particulate measurement (PM 2.5 and PM 10)



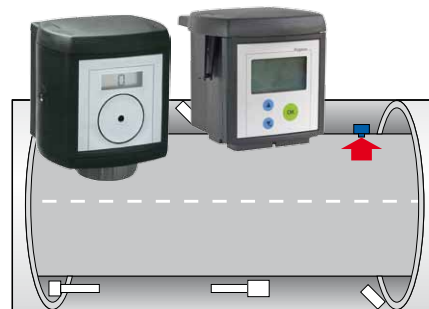
D-R 220T Visibility Monitor

- Continuous measurement of visibility parallel to tunnel axis
- Representative measurement along a 10 m measuring path
- Suitable for early fire detection
- Easy and fast installation
- Stand-alone operation without additional control unit
- Automatic self-monitoring procedures
- Minimized maintenance requirements
- Corrosion resistant
- Remote access via Modbus



D-FL 220T Ultrasonic Air Flow Monitor

- Continuous measurement of flow velocity, direction and temperature
- Representative measurement across the tunnel profile
- Principle follows the evaluation of differential transition times of ultrasonic pulses
- Automatic zero-point and span test
- No separate control unit required
- Minimized maintenance requirements
- Corrosion resistant
- No influence of smoke on the system in case of fire
- Remote access via Modbus



D-G 102 PM / D-G 105 DP Trace Gas Sensor Systems

- Modular stationary system for local measurement of trace gases CO or NO or NO₂
- System consists of docking station, transmitter electronics and a sensor as consumable item
- The docking station is mounted and wired
- No wiring work is required when the transmitter is mounted or dismantled to the docking station
- Transmitter available for signal transfer as 4-20mA signal (D-G 102 PM) or via Profibus PA (D-G 105 DP)
- Electrochemical sensors include memory with sensor data and are plugged to transmitter
- Electrochemical sensors are available for CO or NO or NO₂

DURAG

DURAG GmbH
Kollaustraße 105,
22453 Hamburg, Germany
Tel. +49 40 55 42 18-0
E-Mail: info@durag.de

DURAG Brazil Office
Tel. +55 11 3902 3306
E-Mail: ednaldo@durag.com.br

DURAG China
Tel. +21 60732979-206
E-Mail: lianggc@durag-cn.com

DURAG France
Tel. +33 1 301 811 80
E-Mail: info@durag-france.fr

DURAG India
Tel. +91 80 2314 5626 / 4215 1191
E-Mail: info@duragindia.com

DURAG Italia
Tel. +39 0321 679569
E-Mail: info@durag.it

DURAG Japan Office
Tel. +81 55 977 3994
E-Mail: saito@durag.jp

DURAG Korea Office
Tel. +82 2 761 8970
E-Mail: mac_lim@durag-group.co.kr

DURAG UK Office
Tel. +44 1785 760 007
E-Mail: durag.uk@durag.de

DURAG USA
Tel. +1 651 451-1710
E-Mail: durag@durag.com



DURAG data systems
Kollaustraße 105,
22453 Hamburg, Germany
Tel. +49 40 55 42 18-3000
E-Mail: info@durag-data.de



DURAG process & systems
technology gmbh,
Kollaustraße 105,
22453 Hamburg, Germany
Tel. +49 40 55 42 18-0
E-Mail: info@durag-process.de



Hegwein GmbH,
Am Boschwerk 7
70469 Stuttgart, Germany
Tel. +49 711 135 788-0
E-Mail: info@hegwein.de



SMITSVONK Holland B.V.
Loodstraat 57
2718 RV Zoetermeer
Netherlands
Tel. +31 79 361 35 33
E-Mail: sales@smitsvonk.nl



VEREWA GmbH
Kollaustraße 105
22453 Hamburg, Germany
Tel. +49 40 55 42 18-0
E-Mail: verewa@durag.de

www.durag.de